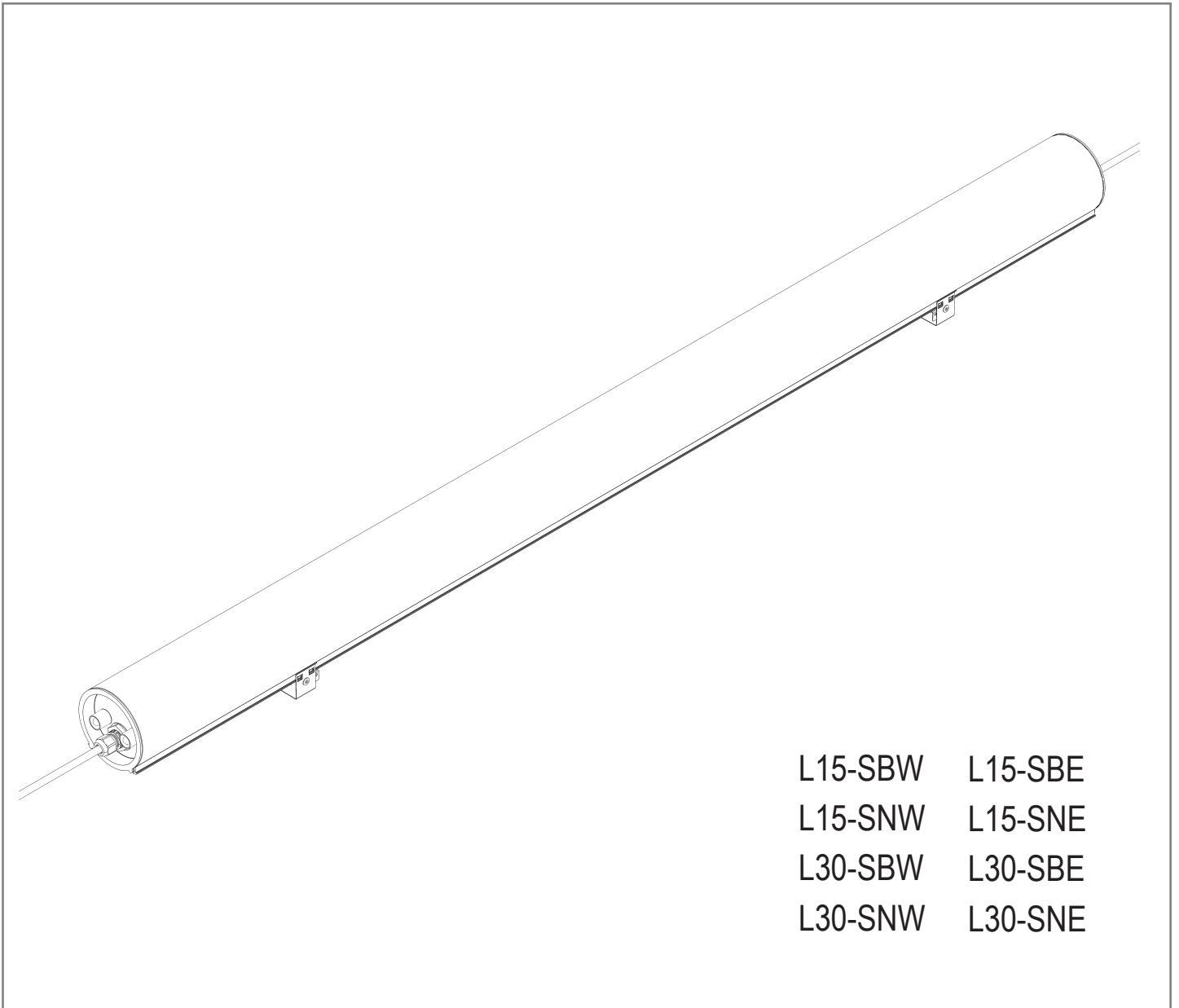


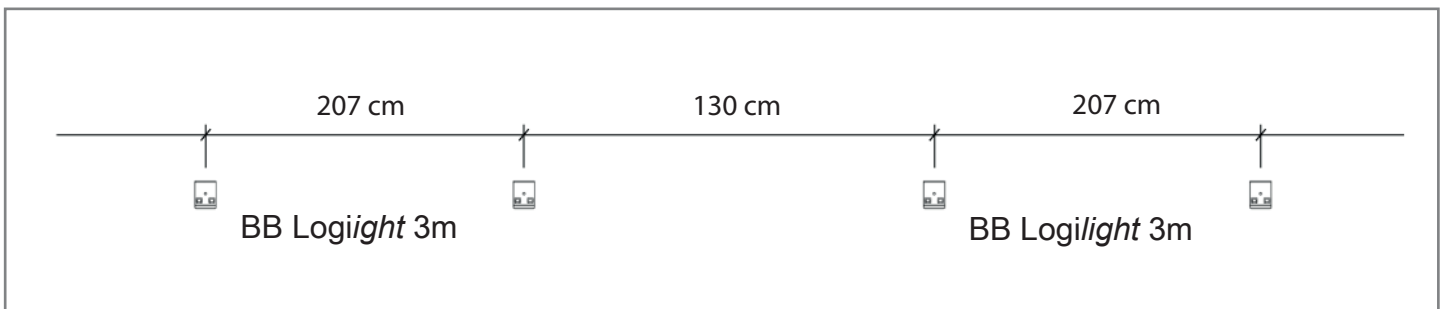
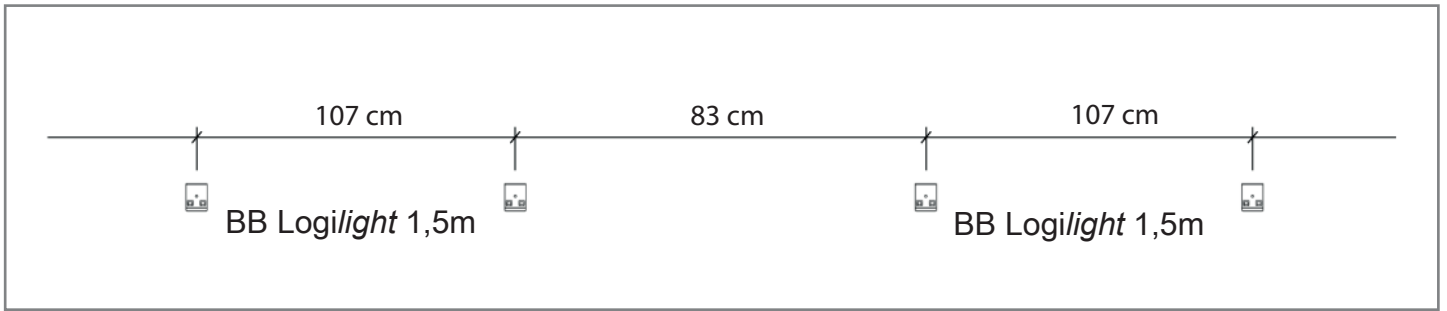
Mounting Instructions



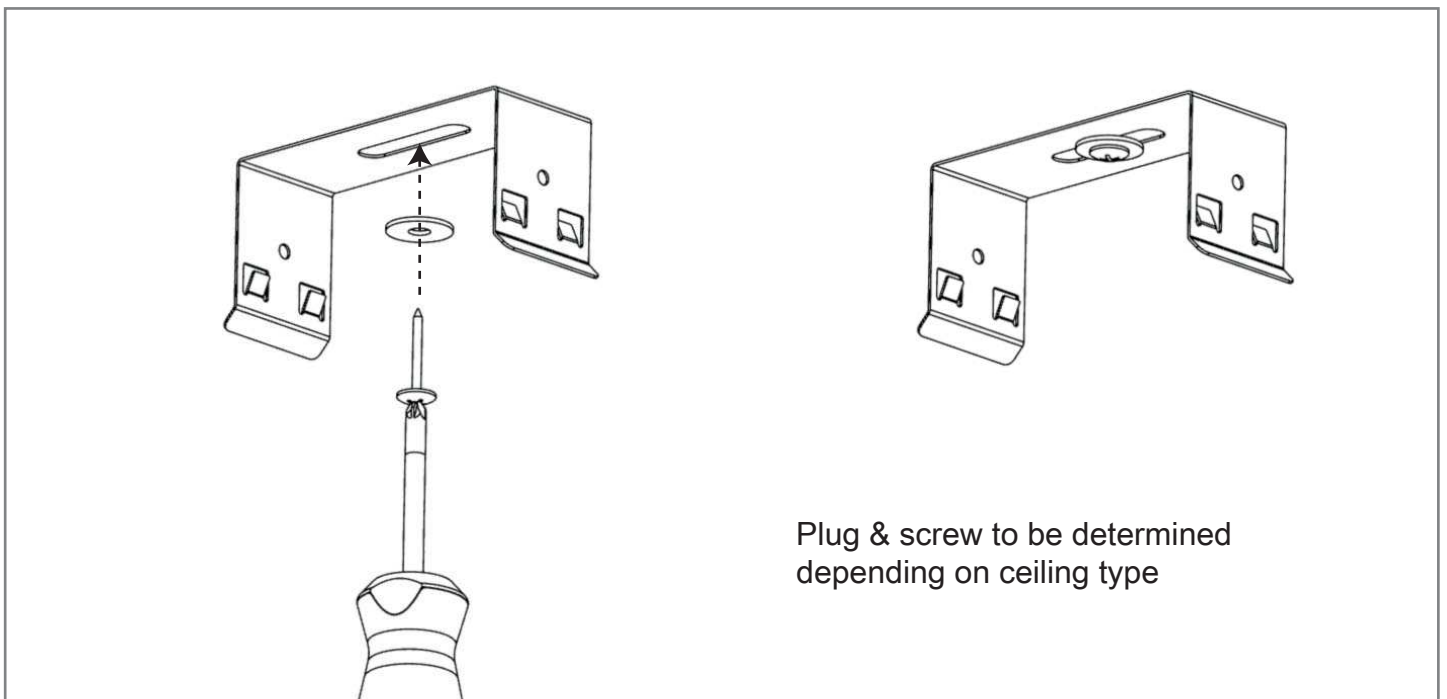
BB Logilight



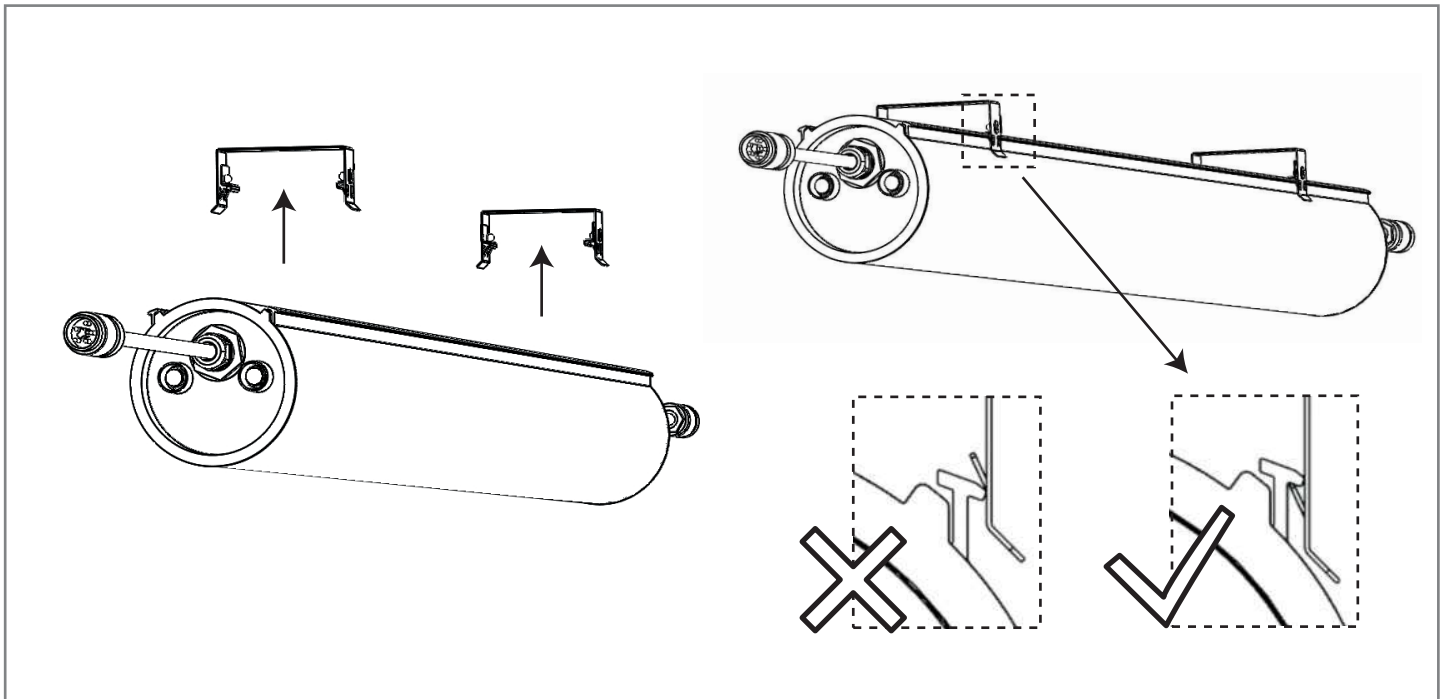
1. Measure and drill holes for the mounting brackets



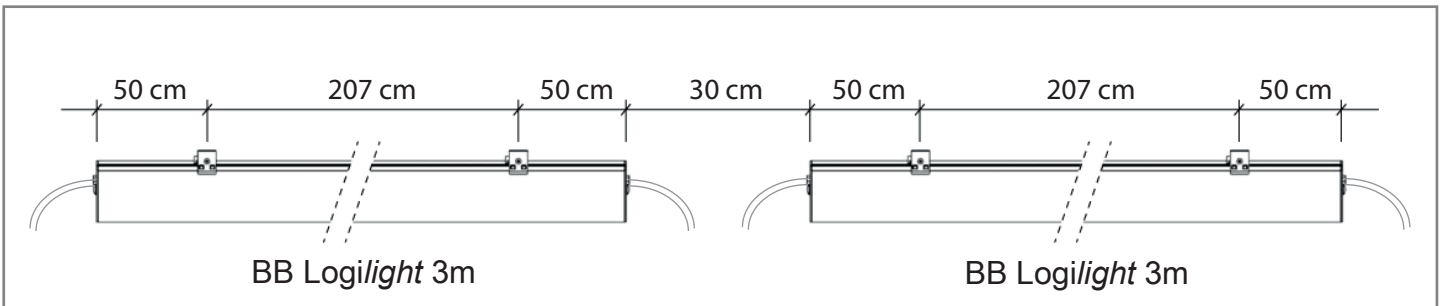
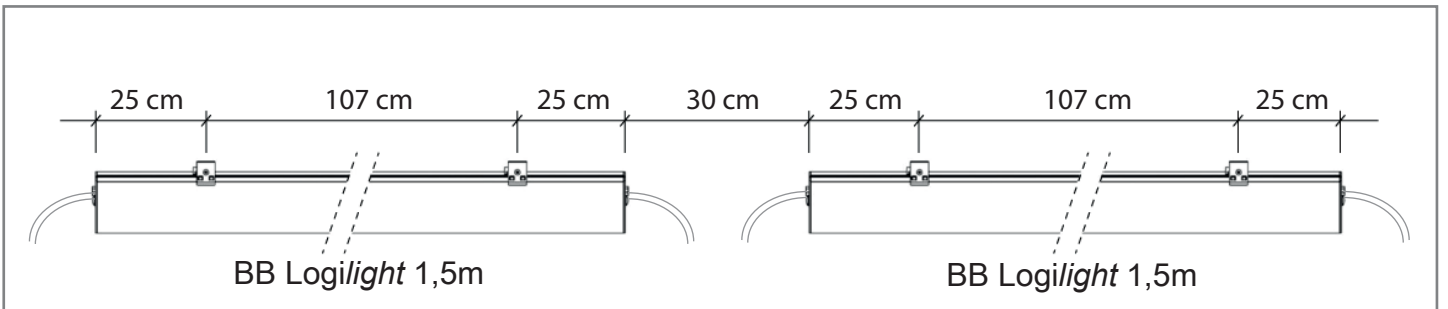
2. Mounting the brackets



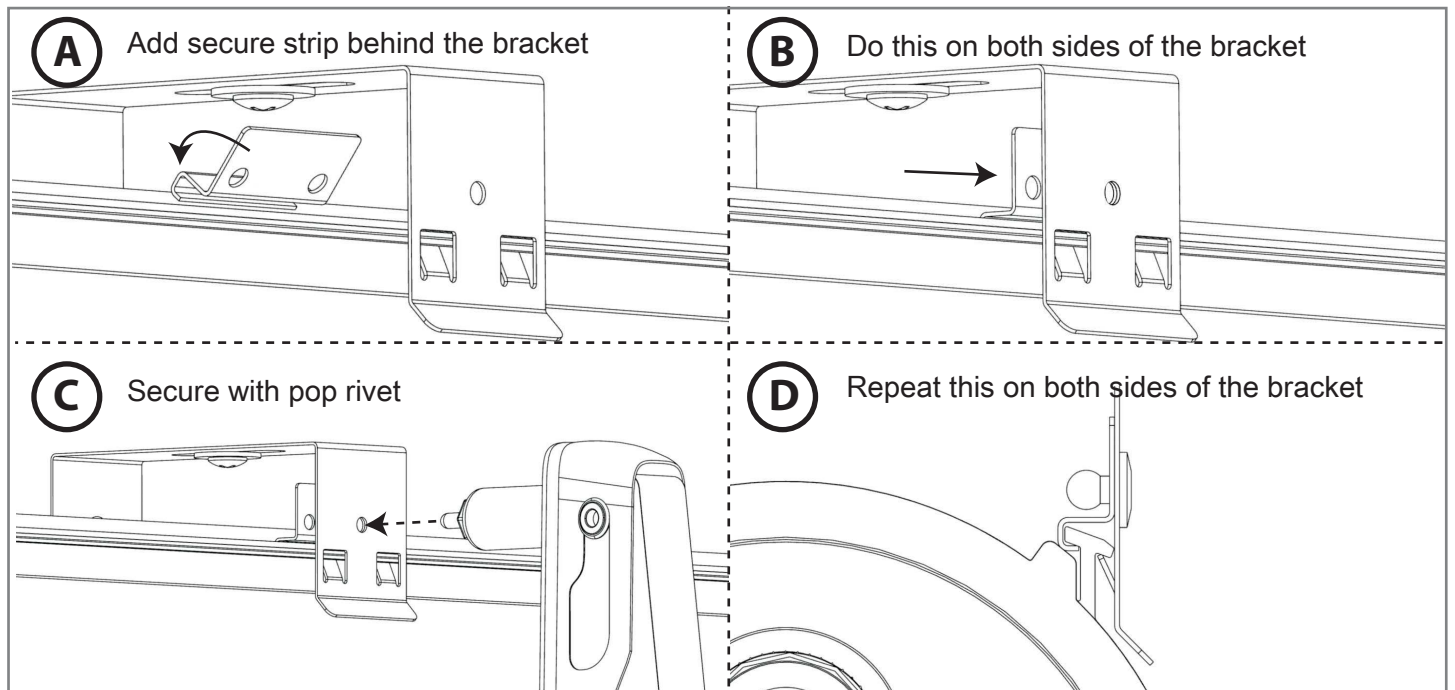
3. Fit the BB Logilight into the mounting brackets



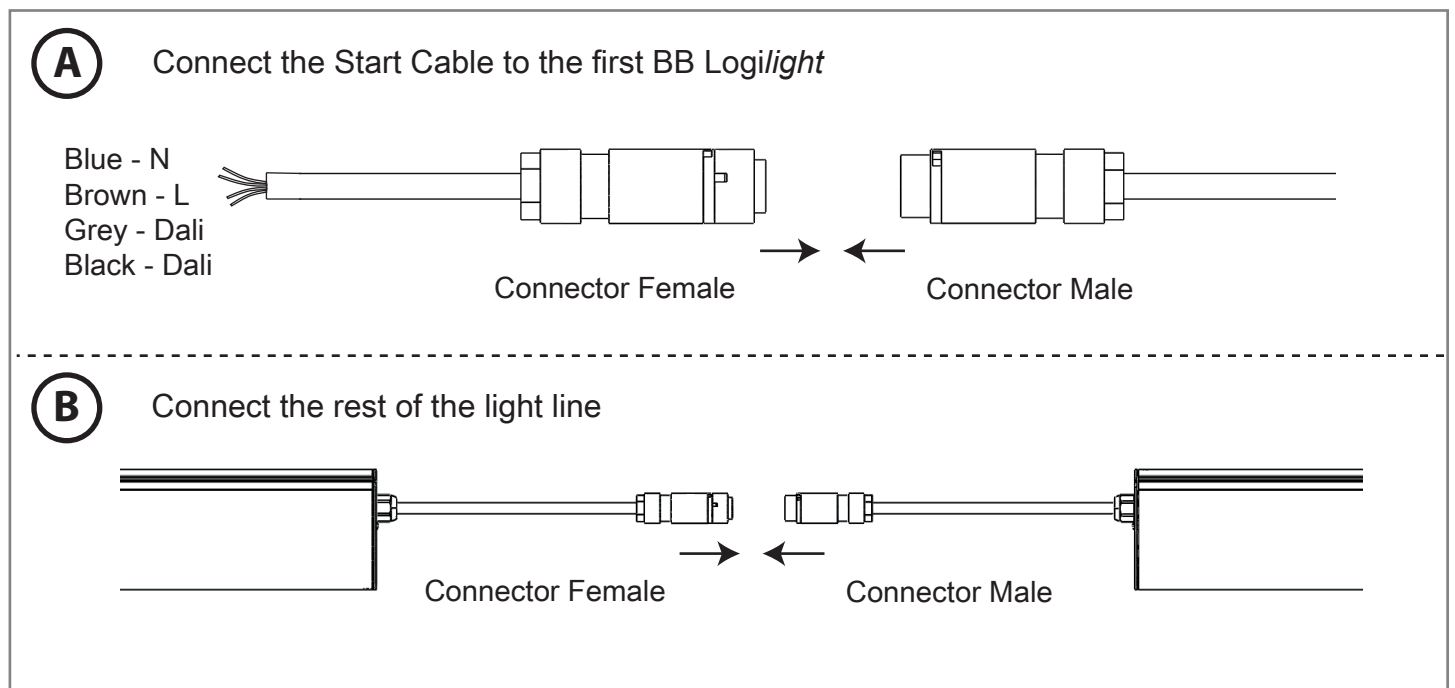
4. Check the distances between the fixtures



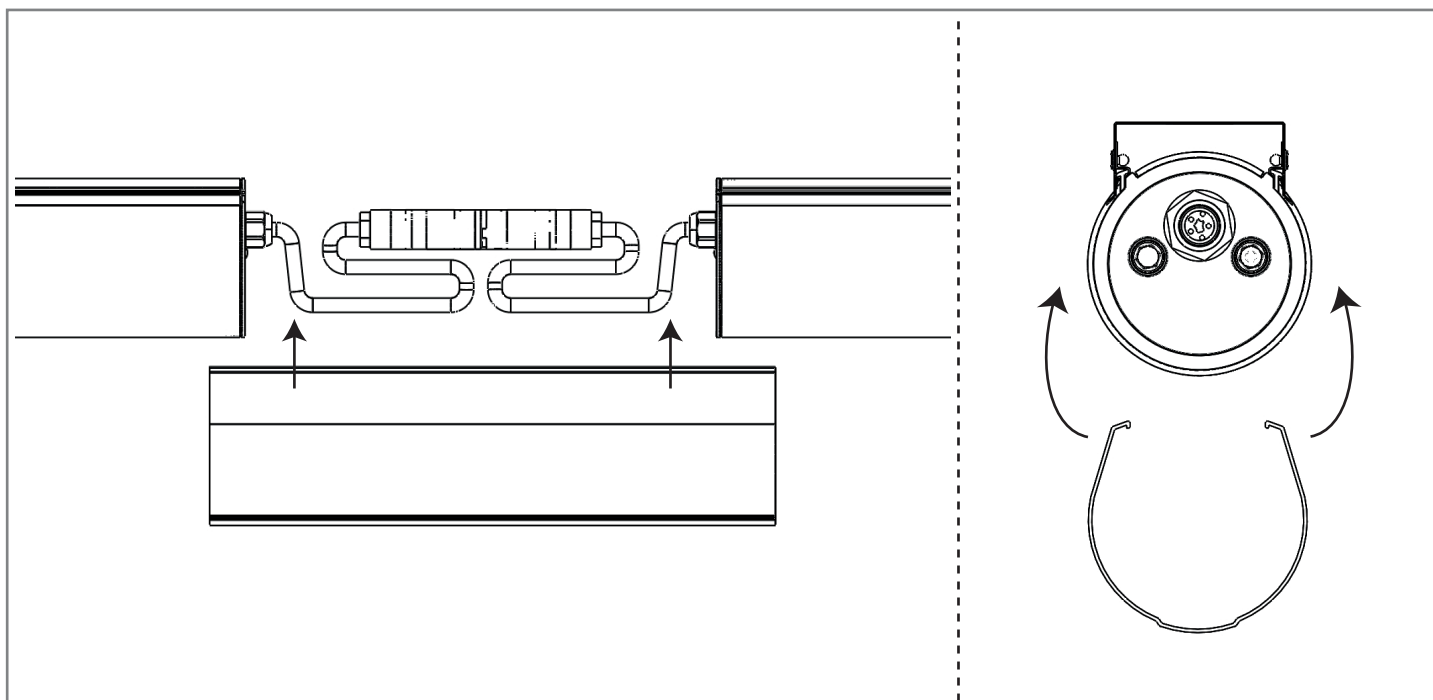
5. Secure the BB Logilight with pop rivets



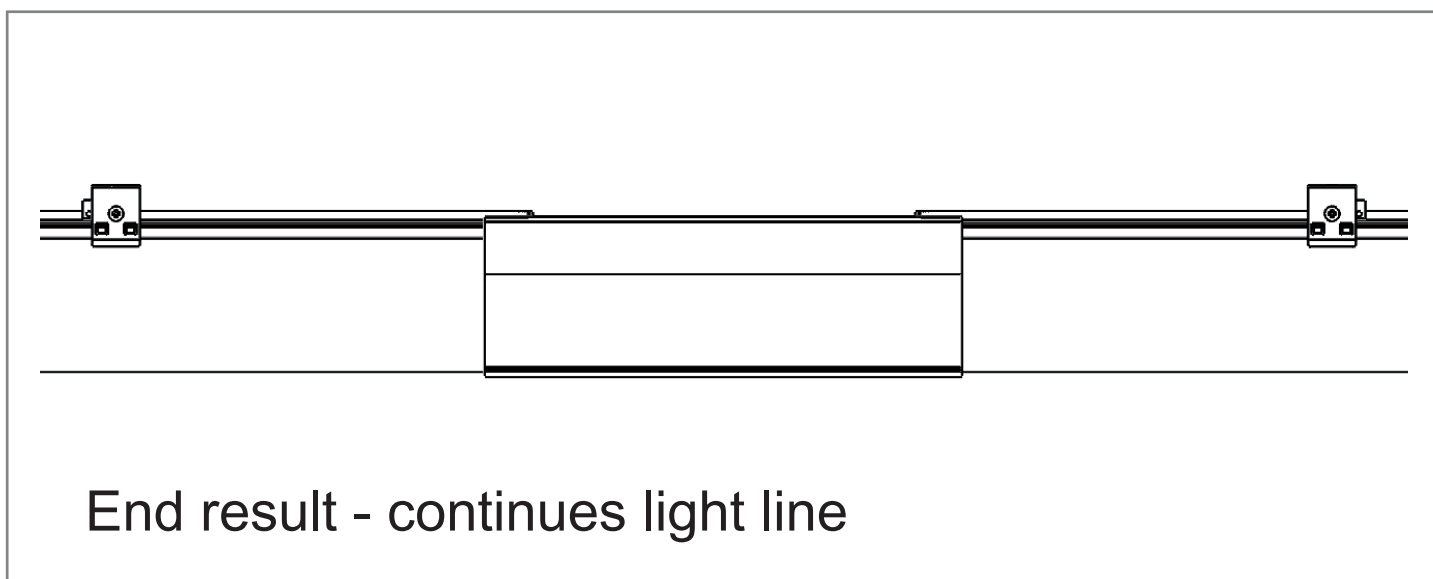
6. Connect the fixtures with the connectors



7. Place the Cable Cover



8. Final visual check



BB Lightpipe
Fabriekstraat 16-04
7005AR Doetinchem
The Netherlands



+31 (0) 314 39 23 48
info@bblightpipe.com
www.bblightpipe.com
member of the TKH Group